

HILLIARD

RAINIER SCONCE



DESIGN:

Masterfully chiseled to a cylindrical shape showcasing its raw, earthy texture. The Rainier sconce is skillfully held in a cast bronze, frame hand finished in a fine hammered texture.

FINISHES SHOWN:

Hand carved selenite stone and hammered antique bronze frame, additional finishes available.

HILLIARD

RAINIER SCONCE

DIMENSIONS: Each Pendant: 16 x 5.5 x 4 IN
41 x 14 x 10 CM

WEIGHT: APPROX 25 LBS

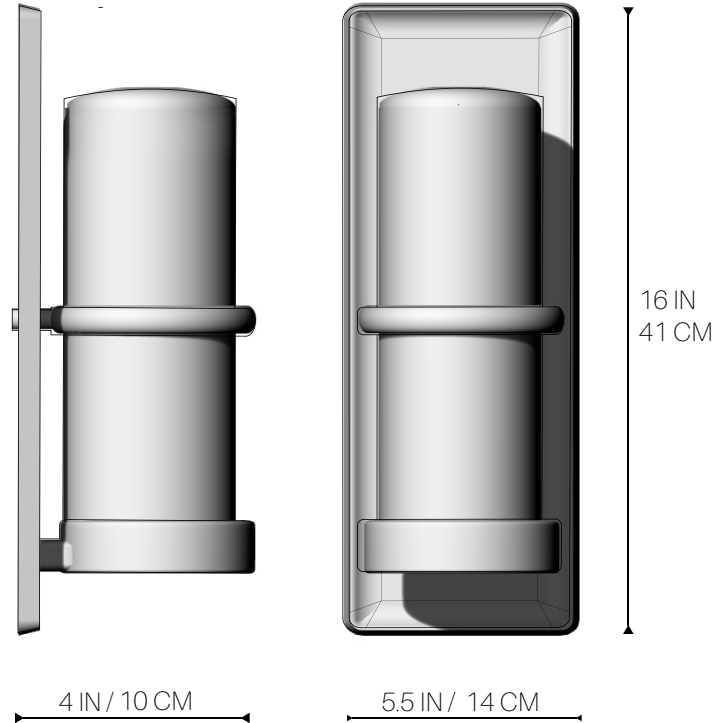
VOLTAGE: 120v standard / 240 available
UL DAMP LISTED/ CE AVAILABLE

J-BOX REQUIREMENT: Standard

LAMPING PER PENDANT: (1) 5W DIMMABLE LED BULBS INCLUDED
600 LUMENS EACH - 2700k or 3000k.
120V : G8 candelabra LED
240V : G8 candelabra LED

CA title 24

Each fixture is hand crafted, signed, and numbered in Arcata, CA



RAINIER SCONCE MATERIALS

STANDARD FINISHES AVAILABLE

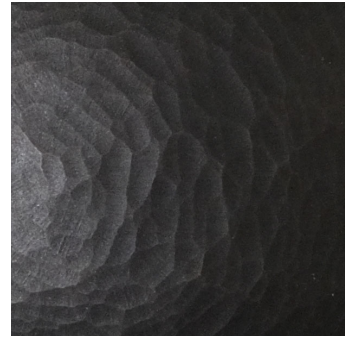
CONTACT
INFO@HILLIARDLAMPS.COM
FOR CUSTOM REQUESTS



CARVED
SELENITE STONE



HAMMERED ANTIQUE
BRONZE



HAMMERED MATTE
BLACK BRONZE

HILLIARD

